



瑞铁机床

CBB-D/UBB-D

Hybrid CNC Press Brake

PROFESSIONAL/CONSISTENT/DEDICATED/EXCELLENT



Deratech Machine Tool (Suzhou) Corp., Ltd, a giant in the field of sheet metal forming and processing in China. Located in Taicang, Jiangsu Province, adjacent to Shanghai, the company mainly produces CNC press brakes, bending centers, laser cutting machines, flexible production units and other sheet metal forming processing equipment and equipment sets, and its products are well sold in domestic and abroad. With the continuous development of the company's business, all aspects of the company's strength are stepping up to a new level.

The company has always taken it as its mission to develop more cost-effective, durable and better sheet metal forming and processing equipment, to drive product iteration with technological advancement and drive enterprise development. In recent years, the products of Deratech have become more and more recognized by the industry and favoured by customers. With the successive launch of electric servo CNC press brakes and bending centers, the company will always focus on the perfection of its products to create more value for customers.

To date, Deratech has been granted over 100 patents (including 8 invention patents). It has been awarded as "Jiangsu Province Specialized and Sophisticated SMEs", "Jiangsu Province High and New Technology Enterprise", "Jiangsu Province Provincial Enterprise Technology Centre", "Jiangsu Province High-end sheet metal CNC machine tools strategic emerging industry standardization pilot", "Jiangsu Province intelligent flexible sheet metal equipment engineering research centre" and other titles, and participated in the CNC press brake national standards, industry standards revision and other work.

Driven by the target of "Made in China 2025", Deratech will continue to move forward and work hard. Growing up with customers and staying with them for a long time is Deratech's faithful commitment to customers.



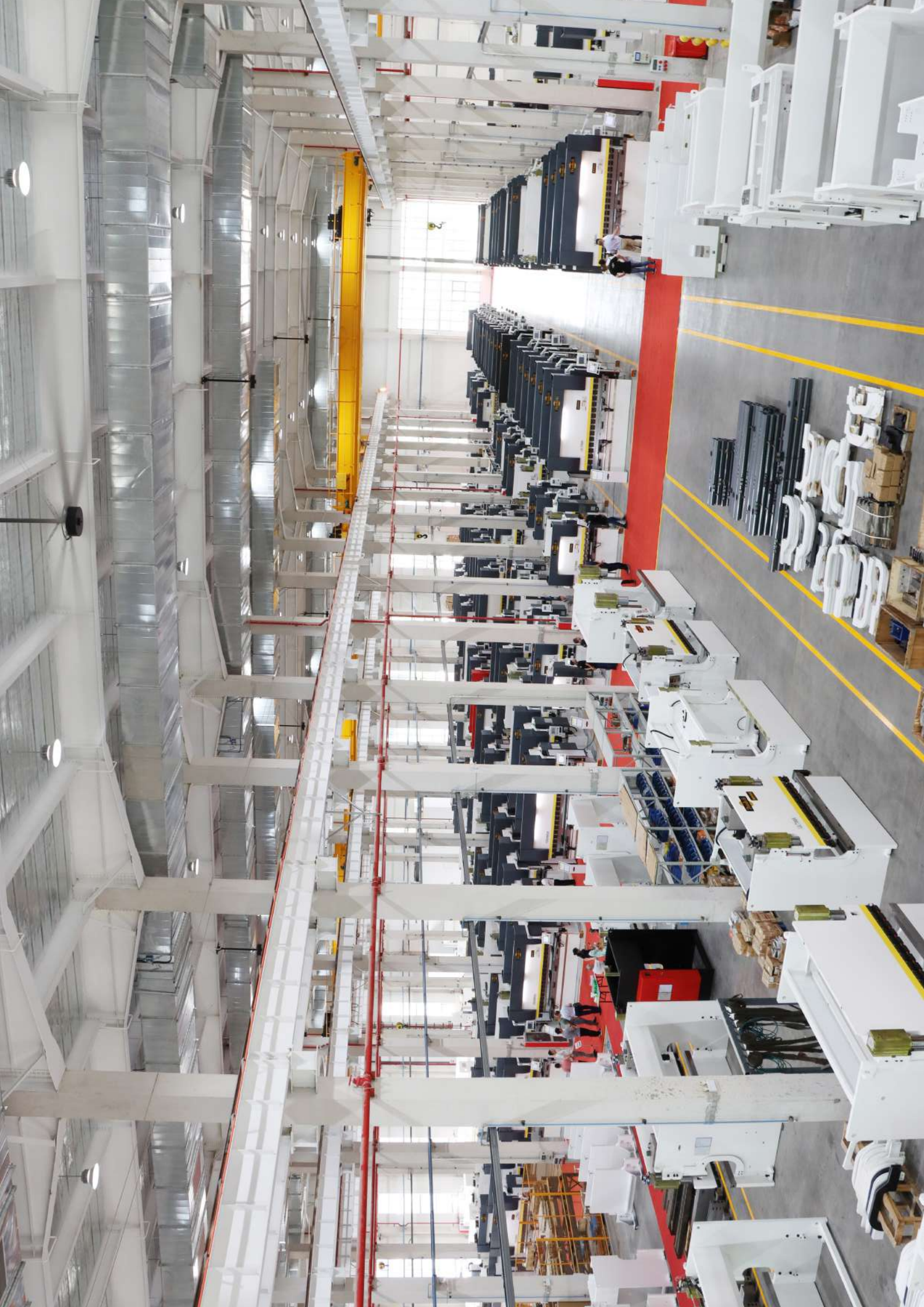
DeraTECH

瑞铁和序

苏州瑞铁激光科技有限公司
DeraTech Laser Technology (Suzhou) Corp., Ltd.

DeraTech





CBB-D Hybrid CNC Press Brake



CBB-35/1250D model

UBB-D Hybrid CNC Press Brake



Advanced design concept, unprecedented market share, independent patented oil-electric hybrid bending technology.



CBB-70/2500D model

PRODUCT FEATURES

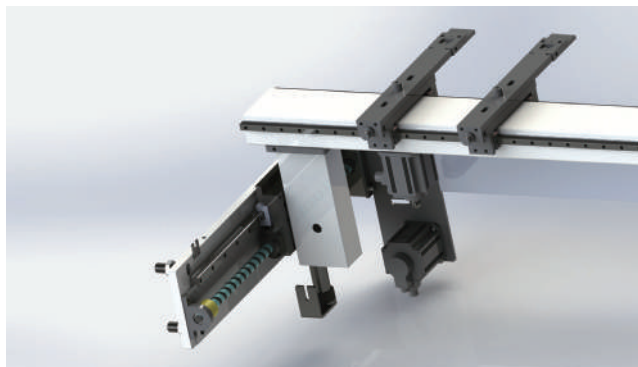
Quick Vertical Loading and Unloading Quick Clamps

Equipped with precise fast fixtures, toolings can be installed and replaced in both directions from the bottom and lateral two-way of the fixture, which can effectively reduce the tooling replacement time, improve production efficiency, and have a greater load-bearing capacity.



Stable Backgauge Structure

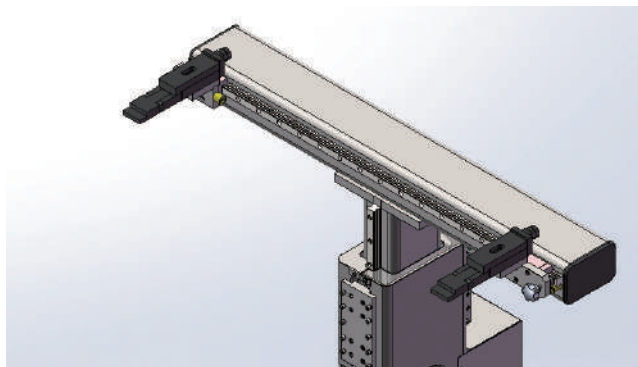
Double linear guide structure to ensure the best positioning accuracy. Multi-stage stop design to increase the positioning range.



Easy Backgauge structure

Standard for 30-50 ton model

Novel and unique design structure, multi-stage stop design, extended positioning range.



Compensation Device of Throat Deformation

It can accurately measure the amount of deformation and feedback, to ensure accuracy, and can effectively prevent non-standard workpiece collision interference detection unit.



Mechanical compensation device

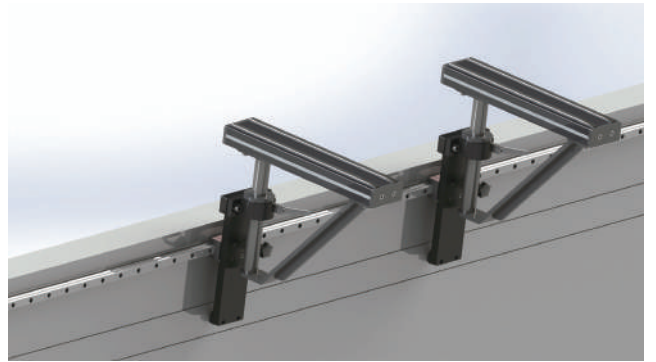
Controlled by CNC system to ensure the bending accuracy is always stable.



Removable front pallet

Standard for UBB-D

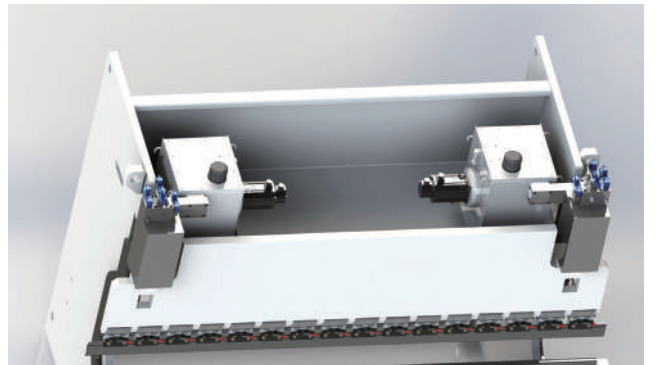
The pallet can follow the linear guide to move and can be stopped at any position.



Dual-Servo Oil-Electric Hybrid Technology

Patent No.: 2017112435900

Through one set of servo motor and servo pump on the left and right, it controls Y1, Y2 fast down, bending and return action, with fast and smooth action, response speed beyond the proportional valve controlled model, and low noise.



CNC SYSTEM

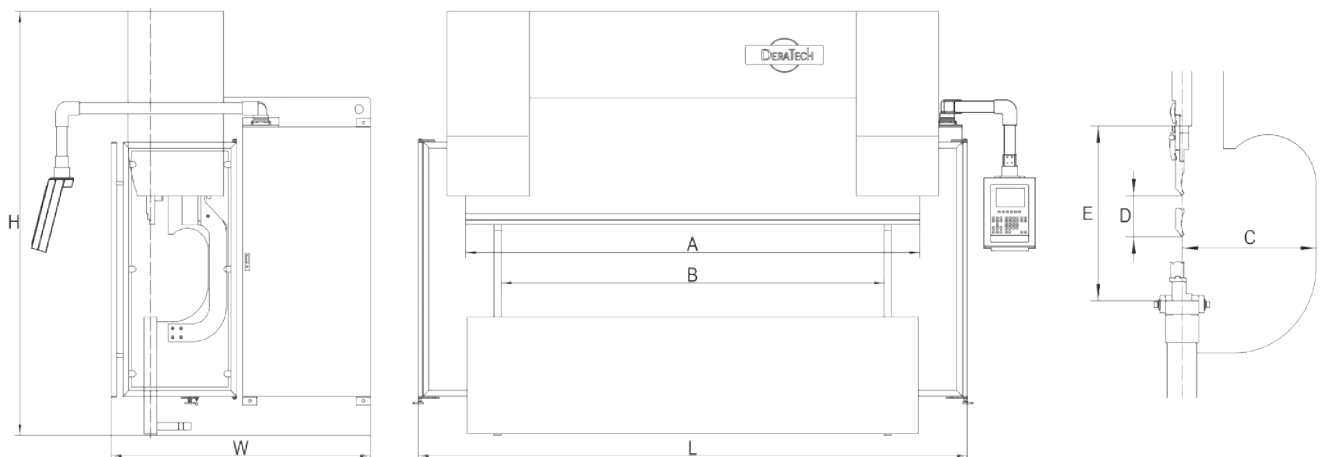
Switzerland Cybelelec CT12 (standard on UBB-D models)

- 12-inch touch screen
- "EasyBend" page operation single action
- Interactive pop-up alarm box
- Automatic calculation of bending angle, main pressure and deflection compensation
- Automatic calculation of bending steps
- Multi-step bending sequence, product angle, pressure and compensation control can be stored
- Finger drawing of workpiece cross-sections



Switzerland Cybelelec CT8 (standard on CBB-D models)

- 8-inch resistive touch screen
- Large buttons for easy touch operation
- Single-pass bending process
- Interactive pop-up alarm box
- Automatic calculation of bending data such as bending angle and main pressure
- 1 x USB 2.0 interface
- Optional off-line programming software



PARAMETERS - CBB/UBB

PARAMETERS - CBB/UBB																
		A	B	C	D	E							L	W	H	
Model	Force (kN)	Max. bending length (mm)	Distance between uprights (mm)	Throat depth (mm)	Cylinder stroke (mm)	Opening height (mm)	Main power (kW)	X-axis stroke (mm)	R-axis stroke (mm)	Max Speed (mm/s)			Dimensions (mm)			Weight (kg)
										Approaching speed	Working speed	Returning	Length	Width	Height	
CBB-35/1250D ★	350	1250	900	200	120	385	3.7	450	100	250	0-20	250	1650	1210	2245	2900
CBB-50/1650D ★	500	1650	1200	300	120	385	2×3.7	450	100	250	0-20	250	2180	1340	2385	4300
CBB-60/2050D ★	600	2050	1500	300	120	385	2×3.7	450	100	250	0-20	250	2680	1340	2385	4600
CBB-70/2500D	700	2500	2000	300	120	400	2×3.7	450	200	250	0-20	250	2990	1370	2385	5900

DERATECH

瑞铁机床

ADD: No.178 Shengjing Rd, Taicang, Jiangsu Province, China

TEL: +86-152-6266-6850

WEB: <http://www.deratech.cn>

EMAIL: Bruce@deratech.cn



**WeChat
Official Accounts**