



瑞铁机床

VAC

CNC Hydraulic Guillotine Shear

---

PROFESSIONAL/CONSISTENT/DEDICATED/EXCELLENT



Deratech Machine Tool (Suzhou) Corp., Ltd, a giant in the field of sheet metal forming and processing in China. Located in Taicang, Jiangsu Province, adjacent to Shanghai, the company mainly produces CNC press brakes, bending centers, laser cutting machines, flexible production units and other sheet metal forming processing equipment and equipment sets, and its products are well sold in domestic and abroad. With the continuous development of the company's business, all aspects of the company's strength are stepping up to a new level.

The company has always taken it as its mission to develop more cost-effective, durable and better sheet metal forming and processing equipment, to drive product iteration with technological advancement and drive enterprise development. In recent years, the products of Deratech have become more and more recognized by the industry and favoured by customers. With the successive launch of electric servo CNC press brakes and bending centers, the company will always focus on the perfection of its products to create more value for customers.

To date, Deratech has been granted over 100 patents (including 8 invention patents). It has been awarded as "Jiangsu Province Specialized and Sophisticated SMEs", "Jiangsu Province High and New Technology Enterprise", "Jiangsu Province Provincial Enterprise Technology Centre", "Jiangsu Province High-end sheet metal CNC machine tools strategic emerging industry standardization pilot", "Jiangsu Province intelligent flexible sheet metal equipment engineering research centre" and other titles, and participated in the CNC press brake national standards, industry standards revision and other work.

Driven by the target of "Made in China 2025", Deratech will continue to move forward and work hard. Growing up with customers and staying with them for a long time is Deratech's faithful commitment to customers.



# VAC CNC Hydraulic Guillotine Shear

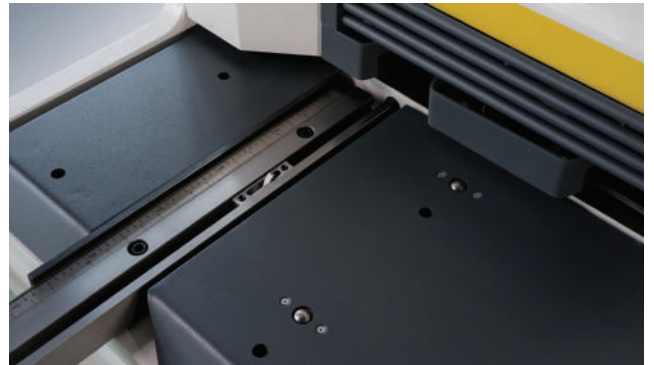


Powerful, efficient and reliable, can be equipped with a variety of auxiliary devices.

## PRODUCT FEATURES

### Verticality Adjustment and Front Positioning Device

Solid squaring arm with ruler, installed on the left side of the machine to ensure the cutting precision.



### CNC Blade Gap Adjustment Device

The upper and lower knife edge clearance is automatically adjusted by the system to improve the cutting quality.



### Backgauge System

Backgauge device + automatic backgauge lifting structure

Precision ball screw, linear guide structure, high performance servo motor drive to ensure positioning accuracy. The backgauge can lift automatically to cut workpieces that are beyond the stopping range.



### Light-to-Wire and Pressurized Material Device

Use of light, line shadow, convenient manual scribing cut. Unique structure design for the hold-down cylinders; a special built-in spring structure with high quality inserts to avoid markings on sensitive materials that need to be cut



### **Hydraulic System**

Hydraulic drive, accumulator return, smooth and reliable operation, integrated hydraulic system design, effectively reduce the problems caused by hydraulic oil leakage.



### **Steel Ball Transfer Structure of Working Table**

The use of rolling steel balls reduces frictional resistance and ensures that the surface of the workpiece is not scratched.



# CNC SYSTEM

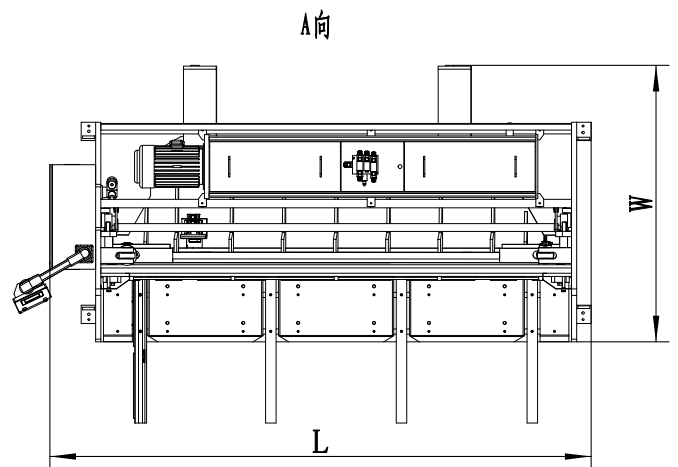
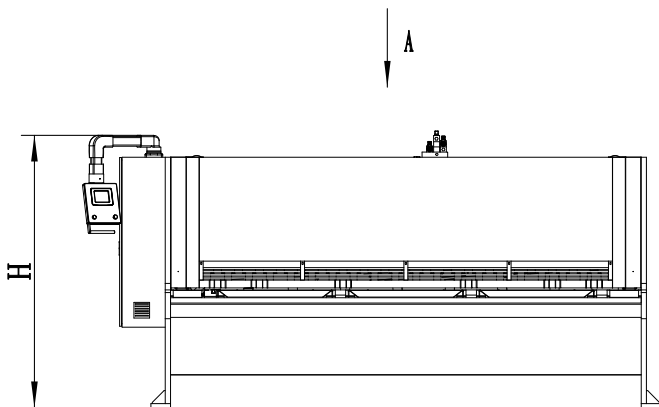
## Switzerland Cybelec CT8

- Intuitive and easy-to-operate interactive interface
- Quickly complete the cutting board setting
- Programming product preservation
- 2 or 3 stops of back gauge finger
- Automatic continuous cutting
- Help alarm information prompt
- Automatically adjust the blade gap
- Automatic control of cutting angle
- Automatic correction of back gauge.
- Support more than 10 languages



## PARAMETERS - VAC

Model	Max cutting thickness (mm)	Max cutting length (mm)	Distance between uprights (mm)	Strokes (n/min)	Backgauge stroke (mm)	Cutting angle (°)	Main power (kW)	Oil (L)	Dimensions (mm)			Weight (kg)
									Length	Width	Height	
VAC-6×4050E	6	4050	4420	15	600	1.5	11	300	4800	1720	1950	9600
VAC-6×3050	6	3050	3600	16-40	1000	0.5-2.5	15	300	4030	2116	2100	8400
VAC-6×4050	6	4050	4620	14-33	1000	0.5-2.5	15	300	5060	2200	2270	11500
VAC-6×5050	6	5050	5620	10-25	1000	0.5-2	15	360	6100	2200	2300	16000
VAC-6×6050	6	6050	6620	7-20	1000	0.5-2	15	360	7100	2300	2500	20000
VAC-8×3050	8	3050	3600	12-30	1000	0.5-2.5	15	300	4030	2116	2100	9500
VAC-8×4050	8	4050	4620	9-22	1000	0.5-2.5	15	300	5060	2300	2365	12500
VAC-8×5050	8	5050	5620	7-16	1000	0.5-2	22	360	6100	2200	2300	20000
VAC-8×6050	8	6050	6620	6-16	1000	0.5-2	22	360	7100	2300	2500	28000
VAC-10×3050	10	3050	3620	12-30	1000	0.5-2.5	22	420	4080	2165	2260	12000
VAC-10×4050	10	4050	4620	10-24	1000	0.5-2.5	22	420	5205	2320	2300	15000
VAC-10×6050	10	6050	6640	6-18	1000	0.5-2	22	420	7250	2350	2800	36500
VAC-13×3050	13	3050	3620	12-26	1000	0.5-2.5	30	540	4250	2300	2415	13700
VAC-13×4050	13	4050	4620	10-22	1000	0.5-2.5	30	540	5205	2350	2485	17000
VAC-16×3050	16	3050	3640	8-18	1000	0.5-2.5	30	540	4235	2300	2485	16000
VAC-16×4050	16	4050	4640	7-15	1000	0.5-2.5	30	540	5235	2350	2585	21000

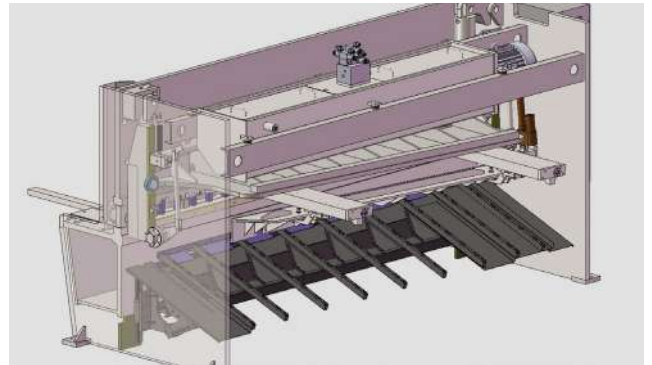


## OPTIONAL CONFIGURATION

### Pneumatic Sheet Support Device

Suitable for CNC Hydraulic Guillotine Shear

It can reduce the sagging deformation of the sheet in shearing and improve the shearing quality. The action of the pallet frame and the descending action of the knife frame are nearly synchronized, and the pallet arm of the pallet frame is equipped with rollers to facilitate the exit of the sheet.



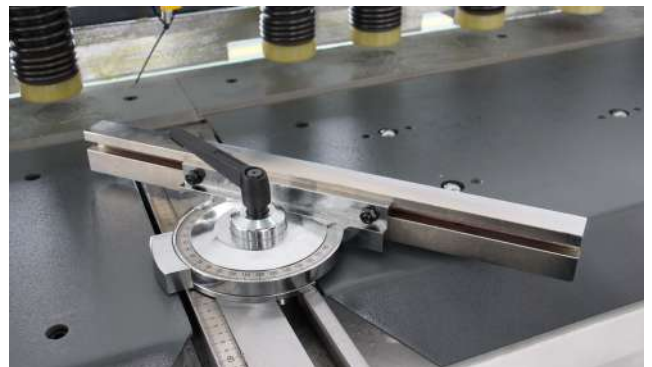
### Removable Front Pallet

The support system can be moved left and right to meet the requirements of pallets with different widths. Brush plate can be installed on the working table and moveable front support system as an option to prevent scratching of the sheet.



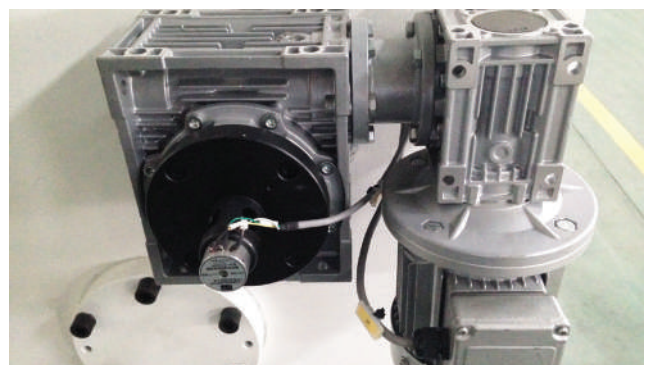
### Angle Positioning Device

The angle positioning device has a scale rod. By manually locating the lock with a fast handle and applied to the shear irregular plate parts.



### CNC Clearance Adjustment Device

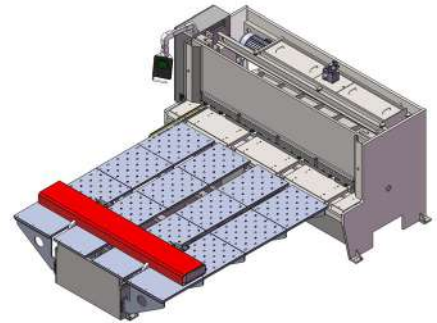
Automatic positioning and fast adjustment.





### Front Feeding Device

Pneumatic gripper clamps the plate material, automatic feeding size shear, feeding table with universal ball, reduce the surface scratch of the plate material.



### Rear Pallet Discharging Device

Pneumatic support hold sheet, hold the workpiece after cutting. Workpiece is transported by the transportation belt.



**DERATECH**

**瑞铁机床**

**ADD: No.178 Shengjing Rd, Taicang, Jiangsu Province, China**

**TEL: +86-152-6266-6850**

**WEB: <http://www.deratech.cn>**

**EMAIL: [Bruce@deratech.cn](mailto:Bruce@deratech.cn)**



**WeChat  
Official Accounts**